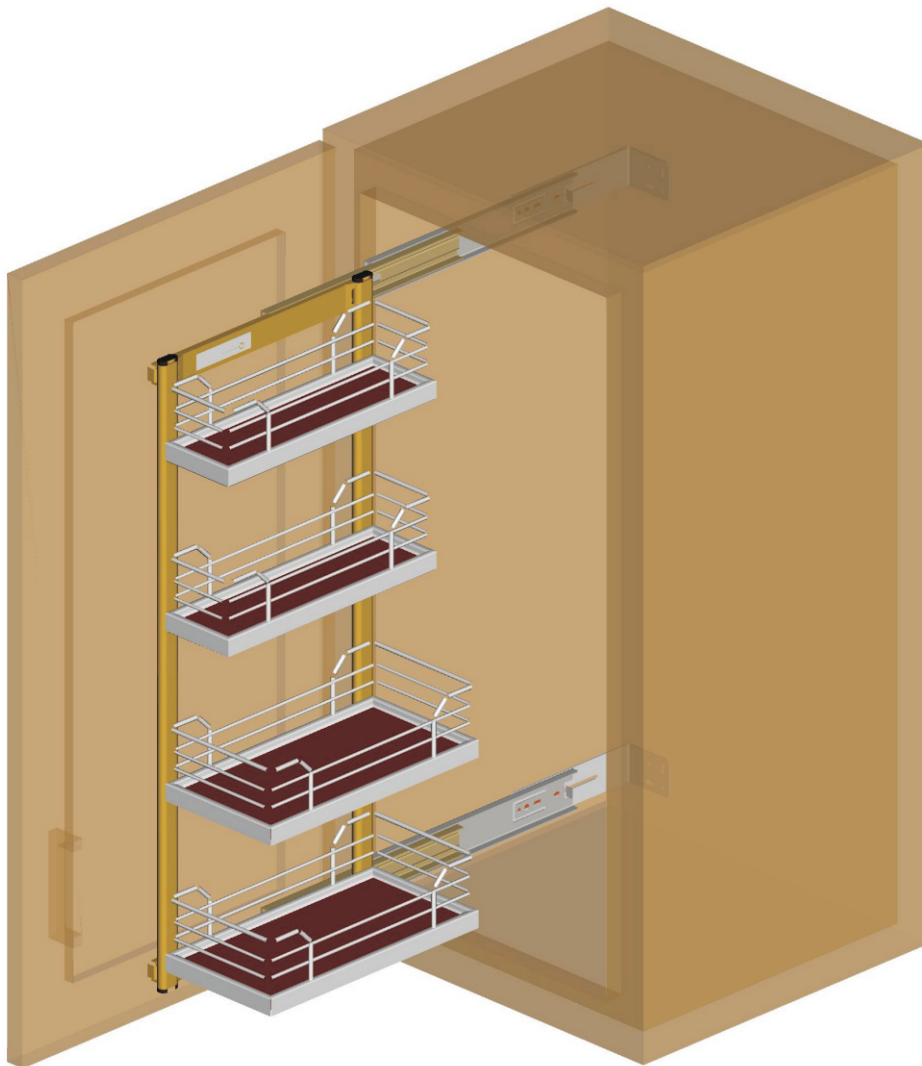
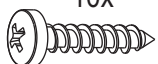


Mounting Instruction Spice rack

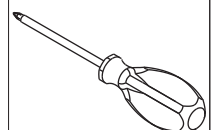
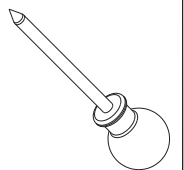
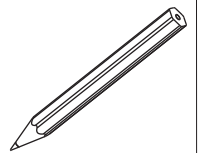
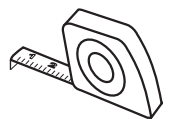


fasteners are
not included

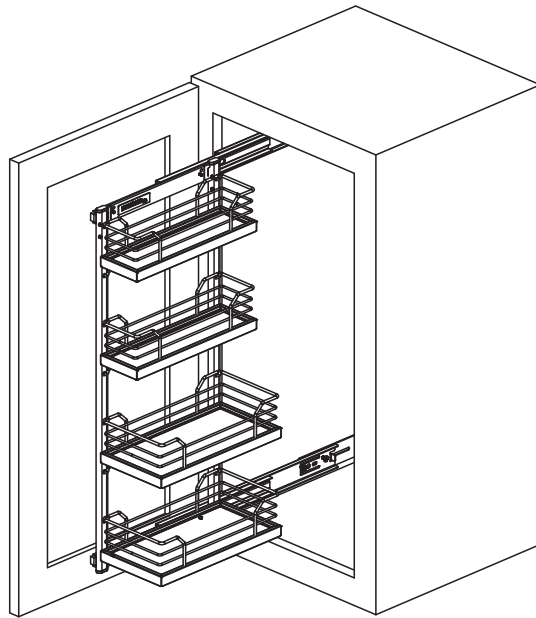
use
10x



pan head



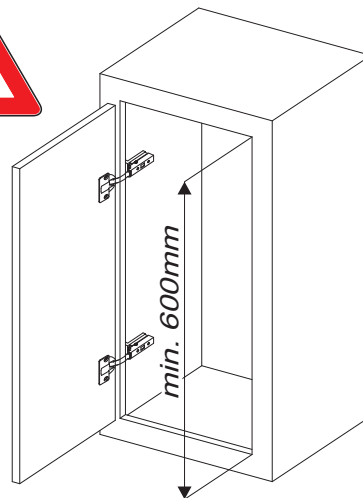
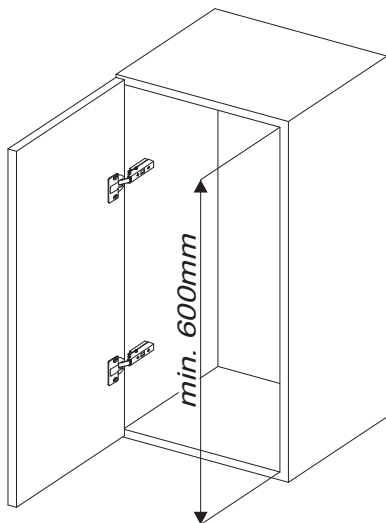
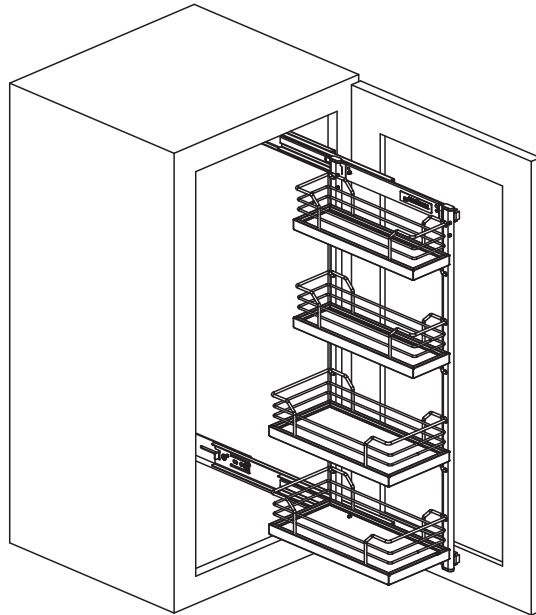
left mounted



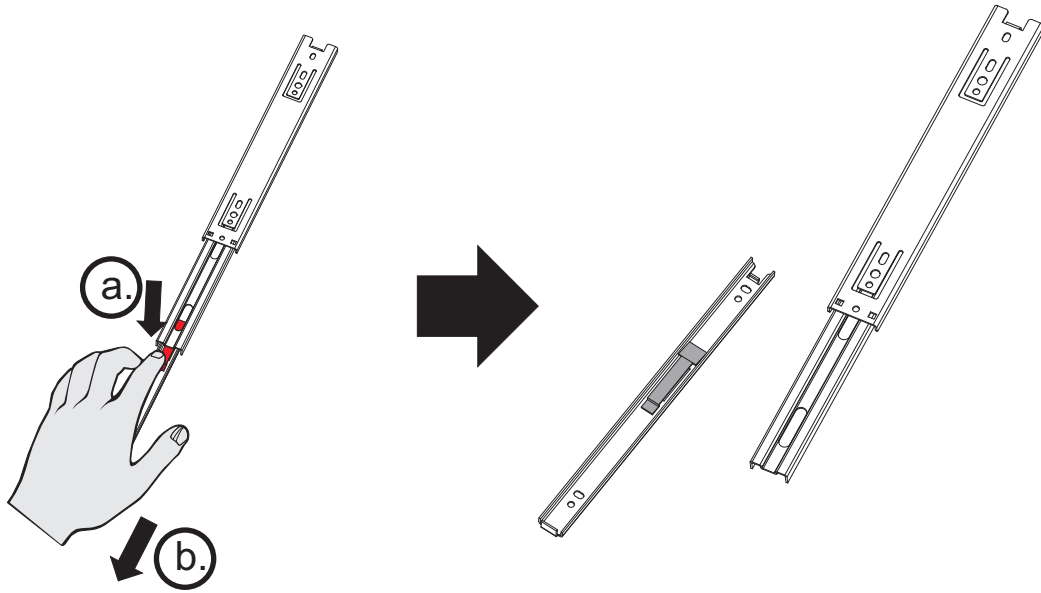
mounting option



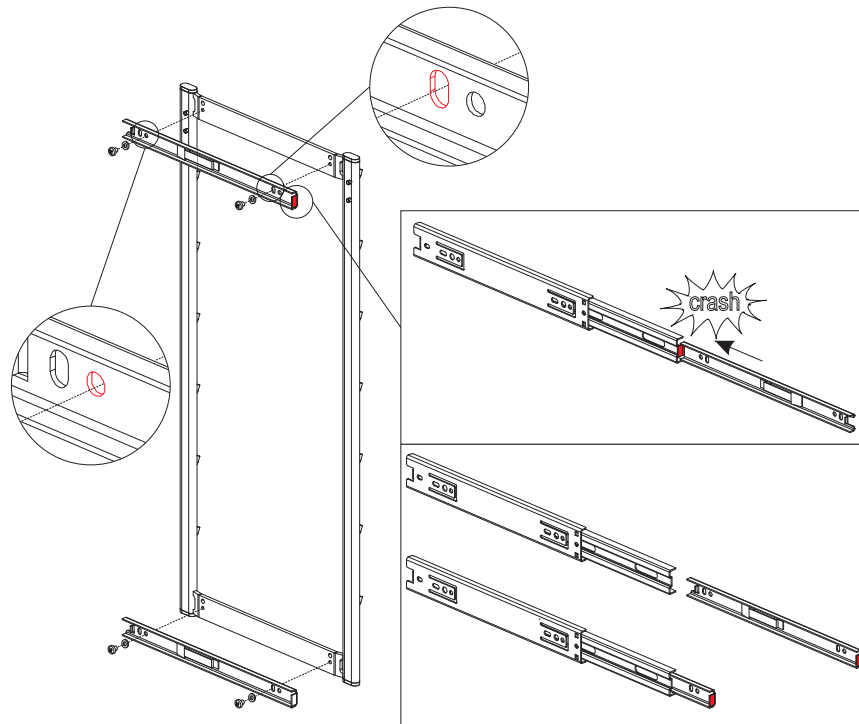
right mounted



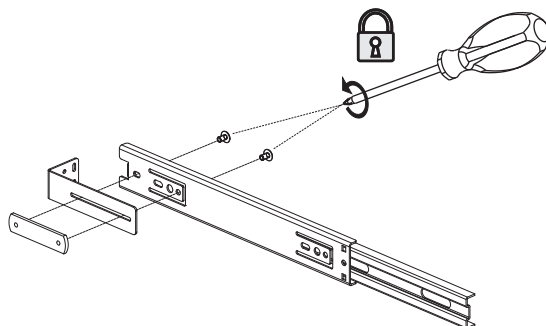
1



2

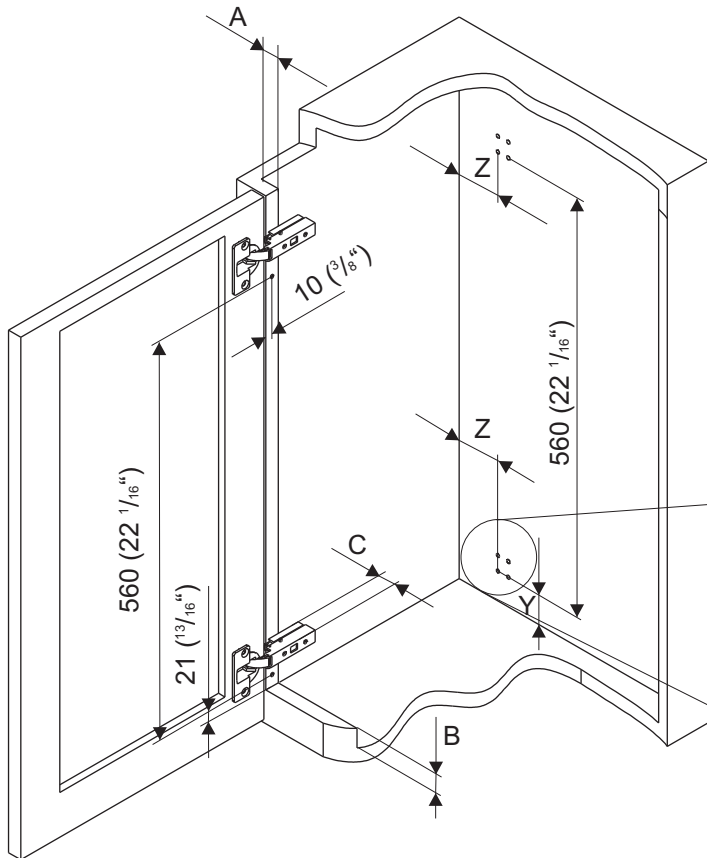


3

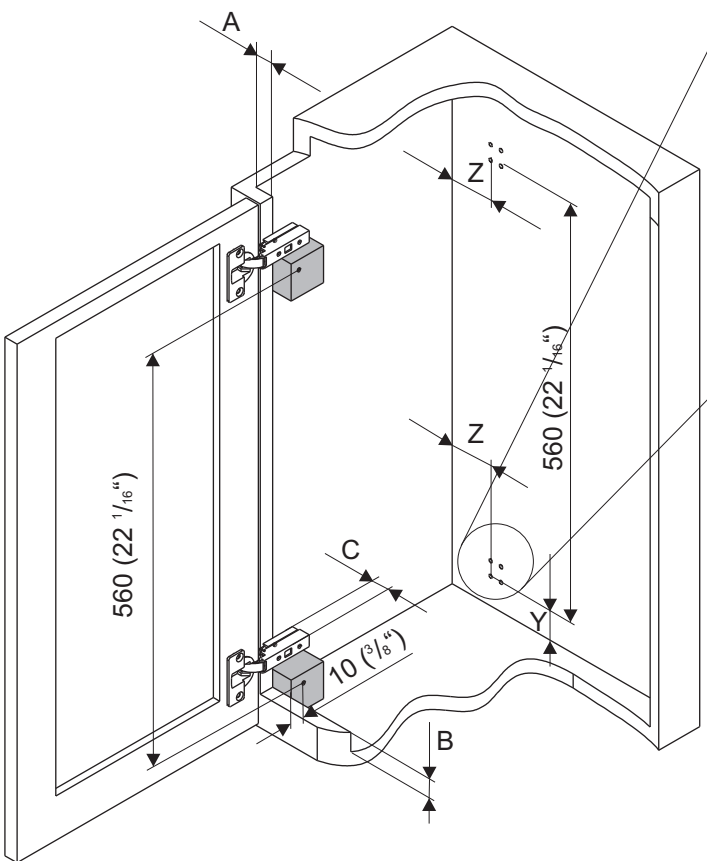
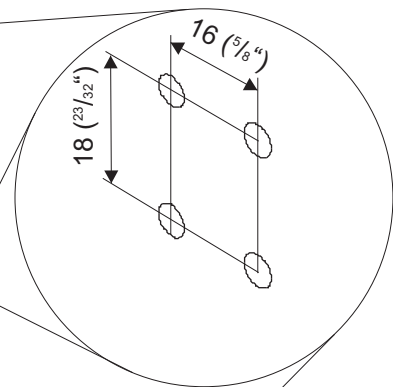


4

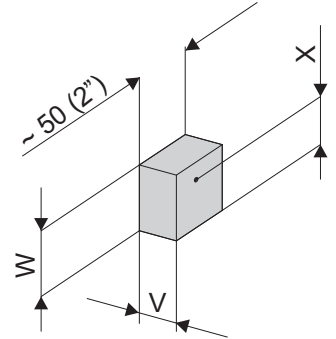
faceframe overlay



C<10mm	
Z	Y
A+25mm A+1"	B+10,5mm B+13/32"

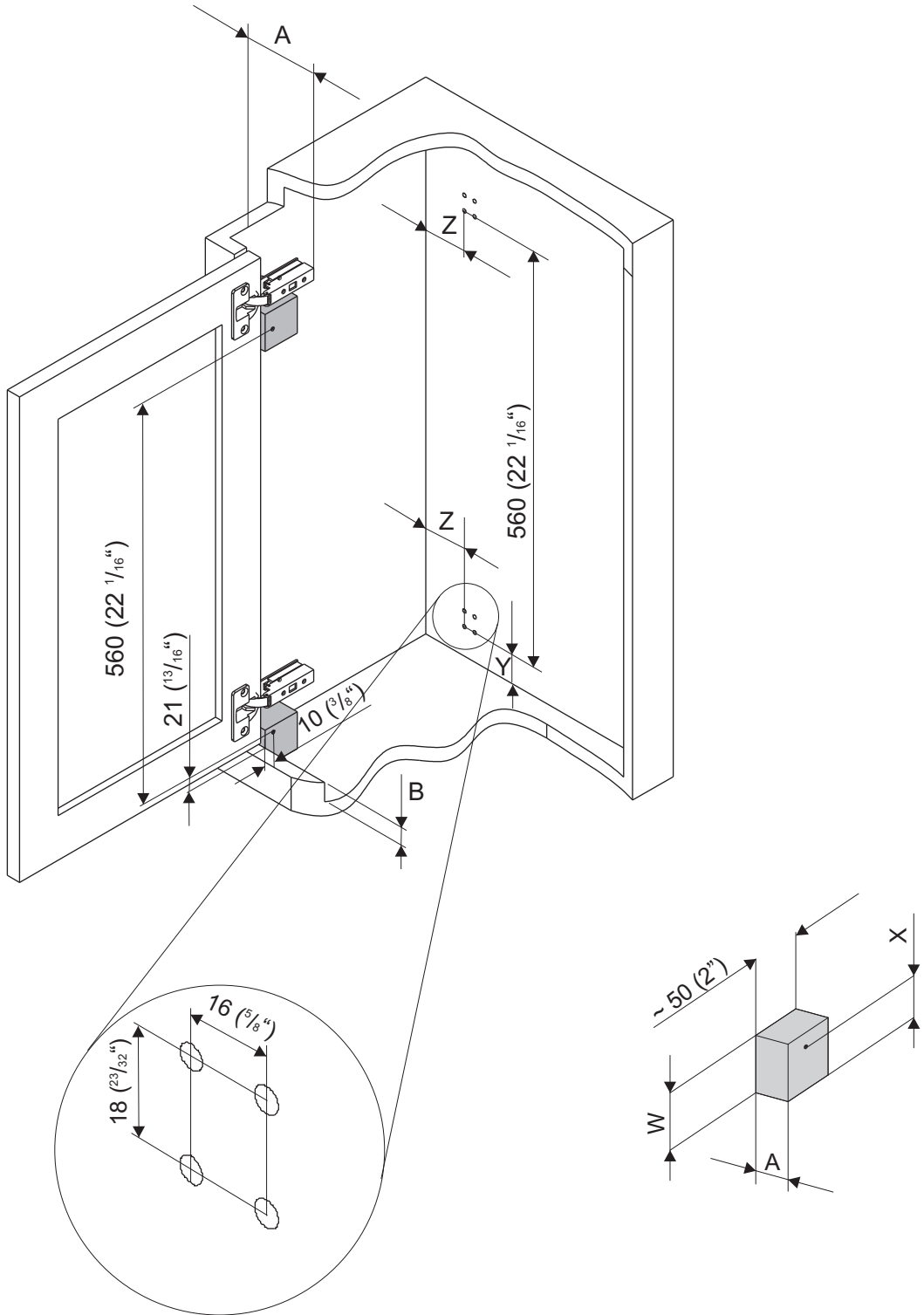


C>10mm				
Z	Y	X	W	V
A+C+25 A+C+1"	B+10,5 B+13/32"	B+21 B+13/16"	B+40 B+1 9/16"	A+C



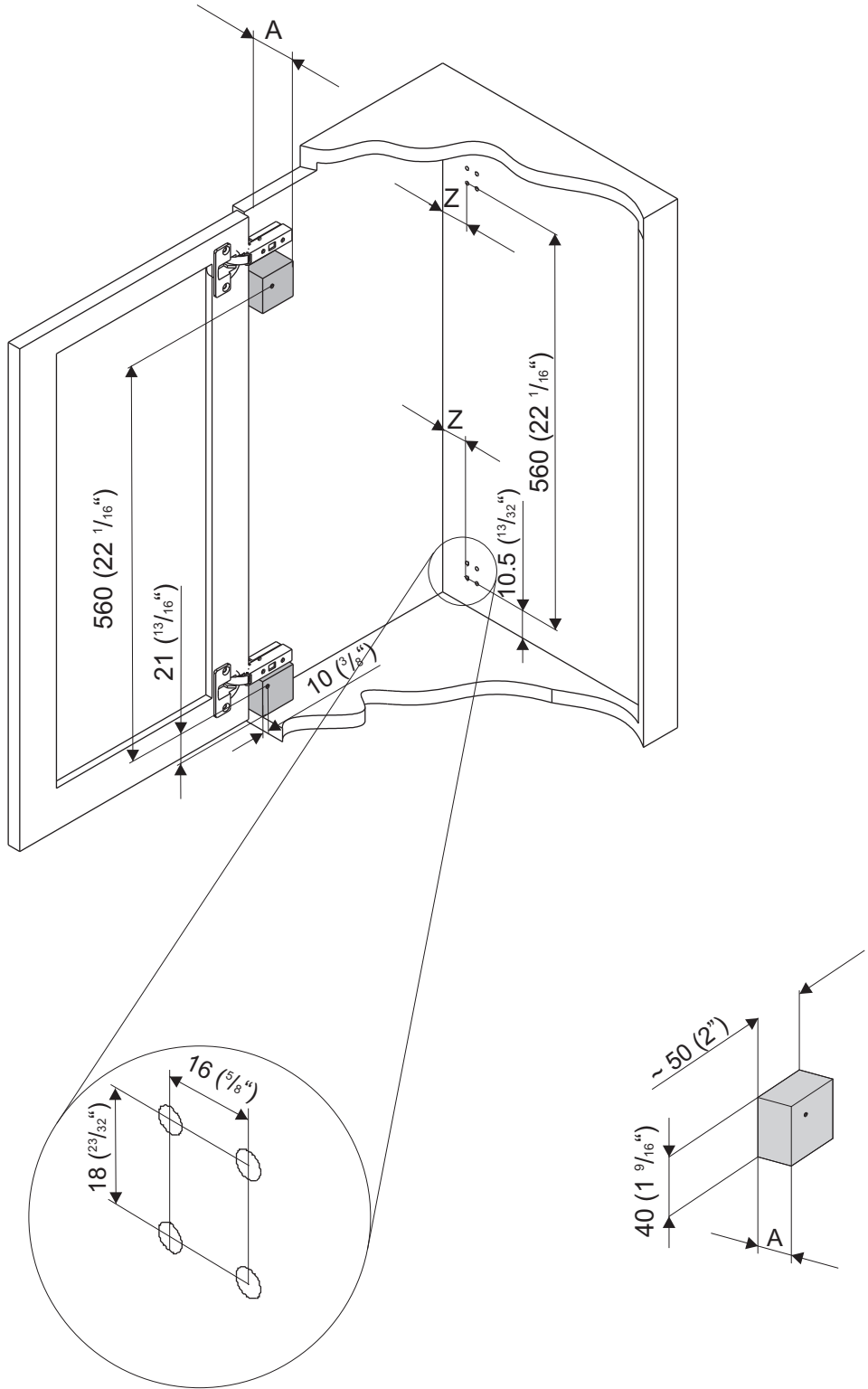
faceframe inset

Z	Y	X	W
A+25mm A+1"	B+10,5mm B+ ¹³ / ₃₂ "	B+21mm B+ ¹³ / ₁₆ "	B+40mm B+1 ⁹ / ₁₆ "

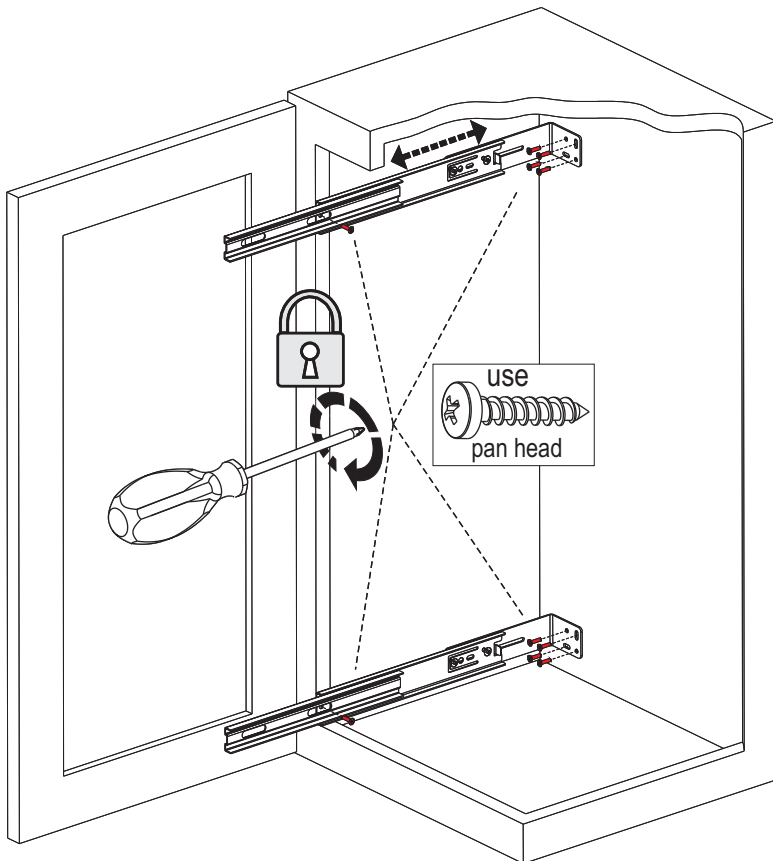
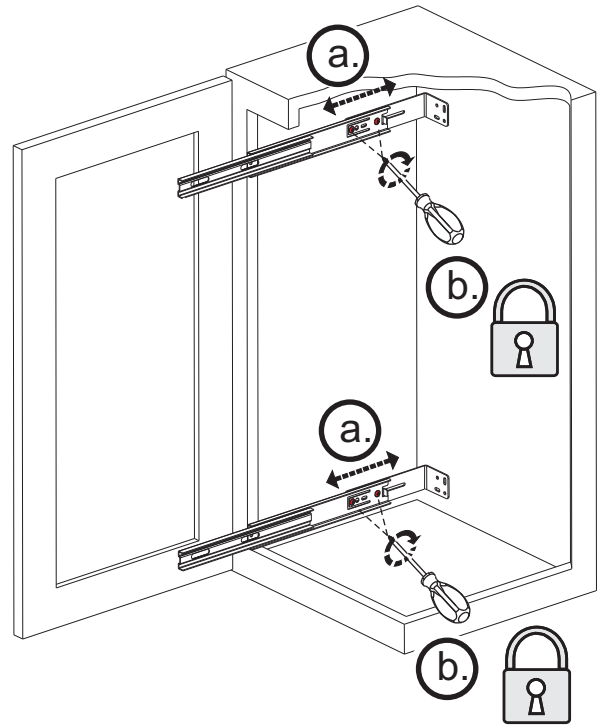
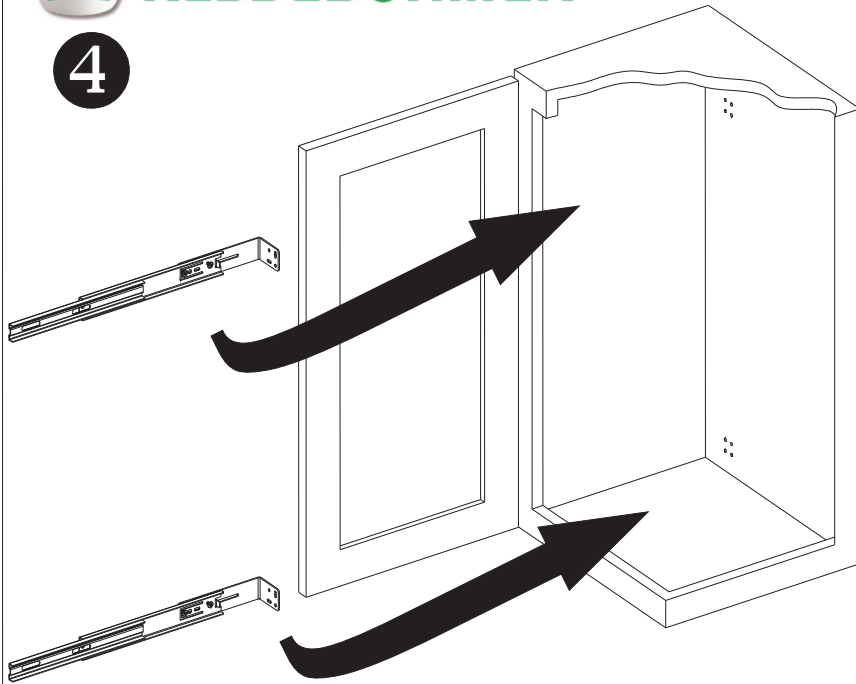


frameless overlay

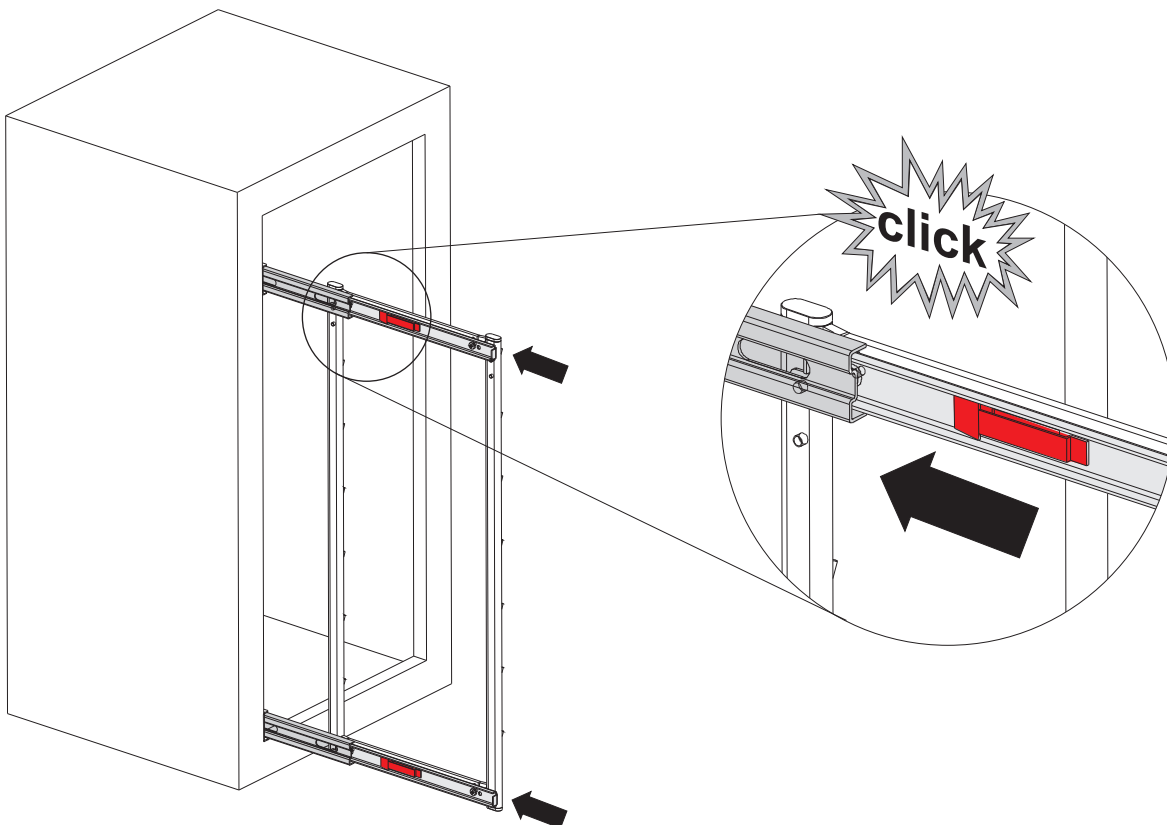
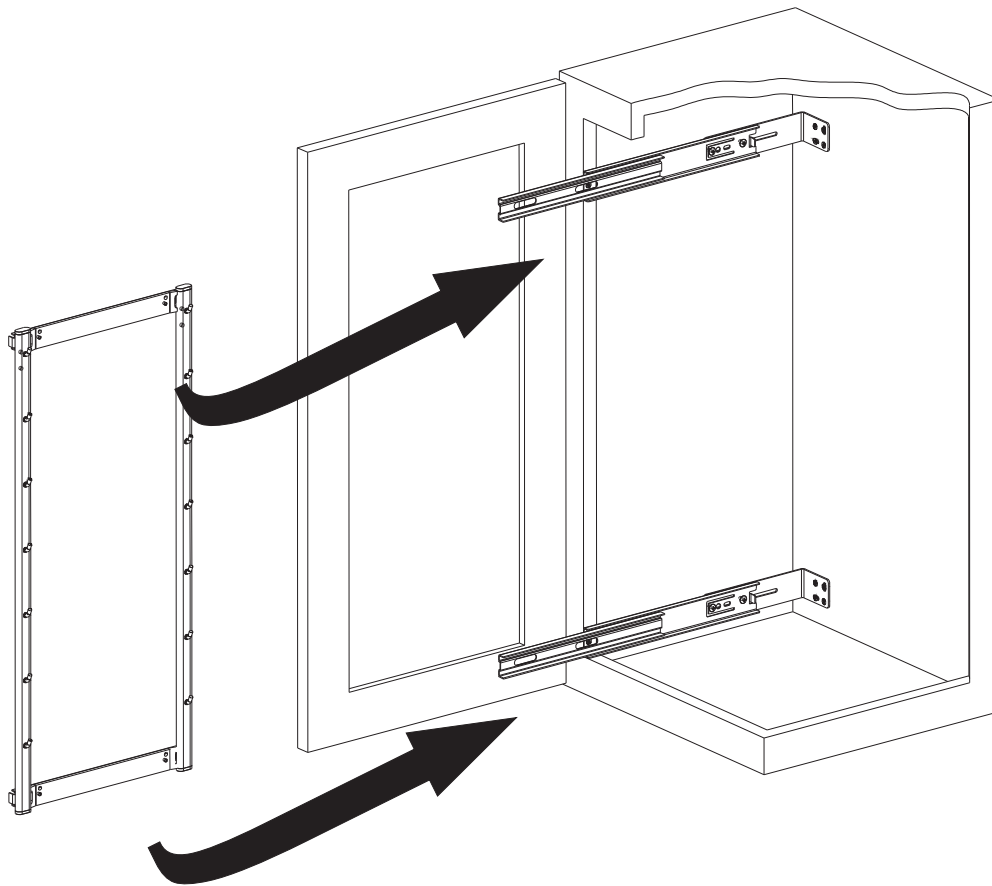
Z
A+25mm A+1"



4



5



6

